



PineCraft Scaffolding, Inc.

Slab Guard Rail Post

1972 Barber Rd.
Sarasota, FL 34240
office: 941.378.4411
fax: 941.378.4412
toll free: 800.755.0676

www.pinecraftscaffolding.com

PineCraft Scaffolding, Inc.

Sales and Rental

1972 Barber Rd.
Sarasota, FL 34240
office: 941.378.4411
fax: 941.378.4412
toll free: 800.755.0676

www.pinecraftscaffolding.com

Pinecraft Scaffolding is committed to meeting your scaffolding needs and providing customer satisfaction along with safety and value. We were founded in 1968 and incorporated in 1983 and bring years of scaffolding experience and knowledge through our office personnel, warehouse team, competent scaffold erectors and safety program. This family owned and operated company offers current and prospective customers the value and confidence they deserve.

For larger scaffold requests and more complex situations, please allow us the opportunity to visit your job or review your plans in order to provide an assessment of the right access solution for a safe and efficient work area. In doing this, we will be able to provide a quote for a straight rental or a turnkey installation for your entire scaffold needs from start to finish. Scaffolding will be erected and dismantled properly, safely, on-time and in compliance with OSHA regulations.

Whether you are a general contractor, a large industrial or commercial contractor, or a small trade contractor, we have what you need and want to thank you for your loyalty and continue to assure you that we will be able to provide you with quality products and service to which you are accustomed.

PineCraft Scaffolding represents the best manufacturers for our clients.

Granite Industries is a leading U.S. manufacturer of a complete line of Scaffold Frames, Utility Scaffolds, System Scaffolds & Scaffold Accessories. We also manufacture Bleacher Seating, Performance Staging, Crowd Control Fencing and several other quality products.

Qual-Craft Started in 1951, Qual-Craft has a long history of engineering, manufacturing and distributing quality products to the building trades. For more than fifty years, Qual-Craft has been the nation's leading manufacturer of light duty scaffolding products, roofing and shingling tools, ladder scaffolds and related safety products.

Werner is a fully integrated manufacturer and distributor of fiberglass, aluminum and wood climbing products. Our products are backed by over 60 years of state-of-the-art product design, thorough testing, and evaluation experience, making us the leader in climbing equipment. We manufacture a full line of safe, professional-grade products for any job and build them to withstand even the most challenging professional jobs. Werner ladders are found on more trucks and on more job sites than all other ladders combined. They are the pro's choice in ladders.

Slab Guard Rail Post

Note:

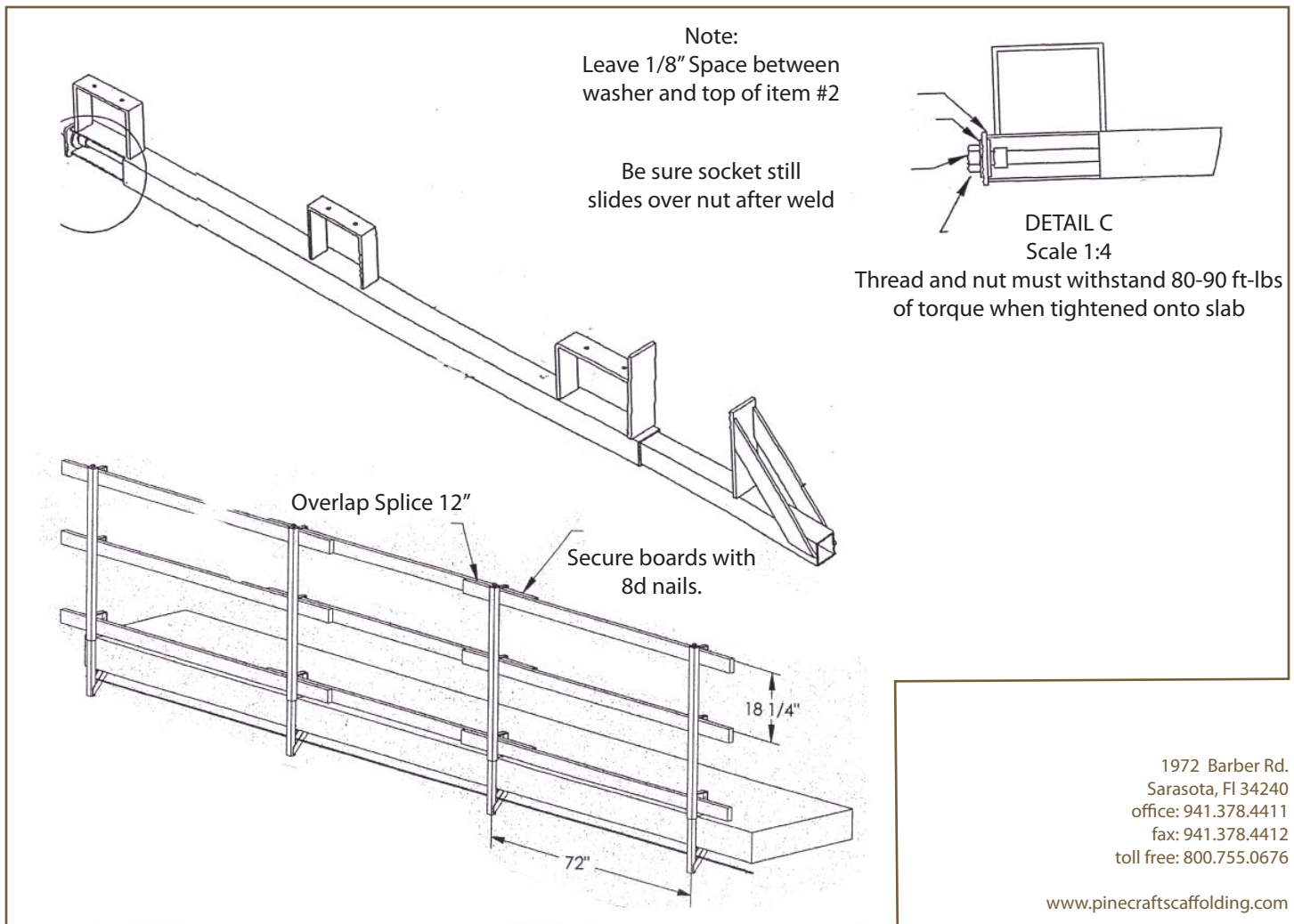
1. Slab Guard Rail Posts should be evenly spaced 6' apart. (post spacing may vary, depending on grade and condition of lumber used.)
2. Tighten nut on top of Guard Rail Post with 7/8" wrench until fully secured. Inspect posts daily, retighten posts if necessary.
3. Spliced Joints must happen at posts only with at least 12" overhang. Joints shall be secured with 8d nails. Use 2"x 4" for top and midrail. 2"x 4" or 1"x 4" may be used for toeboard.
4. Install 1/4" or larger wire cable through gusset and fasten to a secure location, preventing post from falling to the ground.
5. Post will withstand 200# load as required by A.N.S.I. - 4.5.4 code. Lumber must be free from defects and be able to withstand an equivalent loading.

In addition to all of the above, follow all federal, OSHA, state and local codes and regulations for the proper use of this equipment.

SLAB GUARD RAIL POSTS



SLAB G. RAIL POST ..SLBGPTT..... 20#
Tightening Adjustment 0" to 30"
GUARD RAIL POST FOR
PARAPET WALL..... GRPPW..... 30#
Adjustment 4" to 16"



1972 Barber Rd.
Sarasota, FL 34240
office: 941.378.4411
fax: 941.378.4412
toll free: 800.755.0676

PineCraft Scaffolding

Scaffolding & Accessories

1972 Barber Rd.
Sarasota, FL 34240
office: 941.378.4411
fax: 941.378.4412
toll free: 800.755.0676

www.pinecraftscaffolding.com