



PineCraft Scaffolding, Inc.

Aluminum Stages

1972 Barber Rd.
Sarasota, FL 34240
office: 941.378.4411
fax: 941.378.4412
toll free: 800.755.0676

www.pinecraftscaffolding.com

PineCraft Scaffolding, Inc

Sales and Rental

1972 Barber Rd.
Sarasota, FL 34240
office: 941.378.4411
fax: 941.378.4412
toll free: 800.755.0676

www.pinecraftscaffolding.com

Pinecraft Scaffolding is committed to meeting your scaffolding needs and providing customer satisfaction along with safety and value. We were founded in 1968 and incorporated in 1983 and bring years of scaffolding experience and knowledge through our office personnel, warehouse team, competent scaffold erectors and safety program. This family owned and operated company offers current and prospective customers the value and confidence they deserve.

For larger scaffold requests and more complex situations, please allow us the opportunity to visit your job or review your plans in order to provide an assessment of the right access solution for a safe and efficient work area. In doing this, we will be able to provide a quote for a straight rental or a turnkey installation for your entire scaffold needs from start to finish. Scaffolding will be erected and dismantled properly, safely, on-time and in compliance with OSHA regulations.

Whether you are a general contractor, a large industrial or commercial contractor, or a small trade contractor, we have what you need and want to thank you for your loyalty and continue to assure you that we will be able to provide you with quality products and service to which you are accustomed.

PineCraft Scaffolding represents the best manufacturers for our clients.

Granite Industries is a leading U.S. manufacturer of a complete line of Scaffold Frames, Utility Scaffolds, System Scaffolds & Scaffold Accessories. We also manufacture Bleacher Seating, Performance Staging, Crowd Control Fencing and several other quality products.

Qual-Craft Started in 1951, Qual-Craft has a long history of engineering, manufacturing and distributing quality products to the building trades. For more than fifty years, Qual-Craft has been the nation's leading manufacturer of light duty scaffolding products, roofing and shingling tools, ladder scaffolds and related safety products.

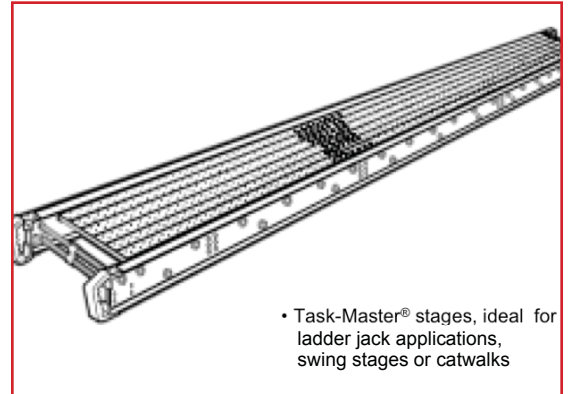
Werner is a fully integrated manufacturer and distributor of fiberglass, aluminum and wood climbing products. Our products are backed by over 60 years of state-of-the-art product design, thorough testing, and evaluation experience, making us the leader in climbing equipment. We manufacture a full line of safe, professional-grade products for any job and build them to withstand even the most challenging professional jobs. Werner ladders are found on more trucks and on more job sites than all other ladders combined. They are the pro's choice in ladders.

PineCraft Scaffolding

Aluminum Stages

ALUMINUM STAGES

- Individual slip-resistant decking minimizes paint or material build-up
- Vinyl-coated end caps serve as hand grips and protect from sharp edges and surface marks
- Double end rung provides extra rigidity on stages 20' or longer - standard on stages with 5" or 6" rails
- Twist-Proof Stage Design
- Ideal for ladder jack applications, swing stages, or catwalks



• Task-Master® stages, ideal for ladder jack applications, swing stages or catwalks

Decorator Planks (1 Person - 250 lbs. Rated)

Model No.	Width	Side Rail Length	Side Rail Depth	Side Rail Flange	Approx. Shipping Wt. lbs.
2008	12"	8"	4"	1-3/8"	25.0
2012	12"	12'	4"	1-3/8"	36.0
2016	12"	16'	4"	1-3/8"	48.0
2020	12"	20'	5"	1-3/8"	65.0
2024	12"	24'	5"	1-3/8"	78.0

Scaffold Planks (2 Person - 500 lbs. Rated)

Model No.	Width	Side Rail Length	Side Rail Depth	Side Rail Flange	Approx. Shipping Wt. lbs.
2316	12"	16'	4"	1-3/8"	48.0
2320	12"	20'	6"	1-3/8"	79.0
2324	12"	24'	6" Heavy Duty	1-3/8"	112.0
2328	12"	28'	6" Heavy Duty	1-3/8"	131.0
2330	12"	30'	6" Heavy Duty	1-3/8"	140.0
2332	12"	32'	6" Heavy Duty	1-3/8"	149.0
2408	14"	8'	4"	1-3/8"	27.0
2412	14"	12'	4"	1-3/8"	40.0
2416	14"	16'	5"	1-3/8"	58.0
2420	14"	20'	6"	1-3/8"	85.0
2424	14"	24'	6"	2"	109.0
2428	14"	28'	6"	2"	127.0
2432	14"	32'	6" Heavy Duty	2"	182.0

1972 Barber Rd.
Sarasota, FL 34240
office: 941.378.4411
fax: 941.378.4412
toll free: 800.755.0676

PineCraft Scaffolding

Aluminum Stages

Stage Platforms (2 Person - 500 lbs. Rated)

Model No.	Width	Side Rail Length	Side Rail Depth	Side Rail Flange	Approx. Shipping Wt. lbs.
2508	20"	8'	4"	1-3/8"	33.0
2512	20"	12'	4"	1-3/8"	48.0
2516	20"	16'	5"	1-3/8"	70.0
*2520	20"	20'	6"	1-3/8"	102.0
*2524	20"	24'	6"	1-3/8"	121.0
*2528	20"	28'	6"	2"	157.0
*2532	20"	32'	6"	2"	179.0
2608	24"	8'	4"	1-3/8"	38.0
2612	24"	12'	4"	1-3/8"	56.0
2616	24"	16'	5"	1-3/8"	81.0
*2620	24"	20'	6"	1-3/8"	115.0
*2624	24"	24'	6"	1-3/8"	138.0
*2628	24"	28'	6"	2"	168.0
*2632	24"	32'	6"	2"	191.0
2708	28"	8'	4"	1-3/8"	41.0
2712	28"	12'	4"	1-3/8"	60.0
2716	28"	16'	5"	1-3/8"	87.0
*2720	28"	20'	6"	1-3/8"	124.0
*2724	28"	24'	6"	1-3/8"	147.0
*2728	28"	28'	6"	2"	187.0
*2732	28"	32'	6"	2"	213.0

Decorator Planks (3 Person - 750 lbs. Rated)

Model No.	Width	Side Rail Length	Side Rail Depth	Side Rail Flange	Approx. Shipping Wt. lbs.
3112	24"	12'	4"	2"	64.0
3116	24"	16'	5"	2"	92.0
*3120	24"	20'	5"	2"	115.0
*3124	24"	24'	6"	2"	145.0
*3128	24"	28'	6" Heavy Duty	2"	204.0

1972 Barber Rd.
Sarasota, FL 34240
office: 941.378.4411
fax: 941.378.4412
toll free: 800.755.0676

PineCraft Scaffolding

Aluminum Stages

Stage Platforms (3 Person - 750 lbs. Rated) Continued

Model No.	Width	Side Rail Length	Side Rail Depth	Side Rail Flange	Approx. Shipping Wt. lbs.
*3132	24"	32'	6" Heavy Duty	2"	236.0
*3136	24"	36'	6" Heavy Duty	2"	323.0
*3139	24"	39'	6" Heavy Duty	2"	365.0
3208	24"	8'	4"	2"	48.0
3212	24"	12'	4"	2"	71.0
3216	24"	16'	5"	2"	103.0
3220	24"	20'	5"	2"	128.0
*3224	24"	24'	6"	2"	161.0
*3228	24"	28'	6" Heavy Duty	2"	220.0
*3232	24"	32'	6" Heavy Duty	2"	251.0
*3236++	24"	36'	6" Heavy Duty	2"	344.0
*3239++	24"	39'	6" Heavy Duty	2"	388.0

Square Modular Guard Rail System

System Sizing

The following steps show how to size a single-sided, three-sided, and four-sided guard rail system.

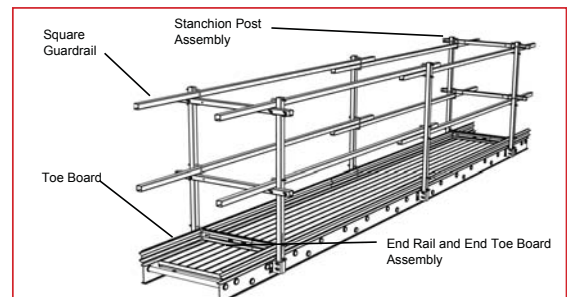
Step 1: Determine the stage length and width.

Step 2: Determine whether guardrail system is one-, two-, three-, or four-sided.

Step 3: Read across the row to determine component requirements.

Step 4: If ordering a three-, or four-sided system, order two ERT-N for 12" and 14" W stages, and two ERT-W for all stages 20" W or greater.

NOTE: If ordering a two sided system, double the single sided component requirement



Model Number	Description	Approx. Shipping Wt. lbs.
ERT-N	End rail and End toe board assembly- Narrow	4.5
ERT-W	End rail and End toe board assembly- Wide	7.0
SSP-47	Stanchion Post Assembly	5.0
SGR-09	1-1/2" Square Guardrail Cut Length - 108"	6.0
SGR-13	1-1/2" Square Guardrail Cut Length - 156"	8.5
STB-09	3-1/2" Toe Board Cut Length - 108"	4.5
STB-13	3-1/2" Toe Board Cut Length - 156"	6.5

1972 Barber Rd.
Sarasota, FL 34240
office: 941.378.4411
fax: 941.378.4412
toll free: 800.755.0676

www.pinecraftscaffolding.com

PineCraft Scaffolding

Aluminum Stages

Single Sided

Stage	SSP-47	SGR-09	SGR-13	STB-09	SBT-13
8'	2	2	0	1	0
12'	3	0	2	0	1
16'	3	4	0	2	0
20'	4	2	2	1	1
24'	5	4	2	2	1
28'	6	2	4	1	2
32'	6	2	4	1	2
36'	6	10	0	5	0
39'	7	4	4	2	2

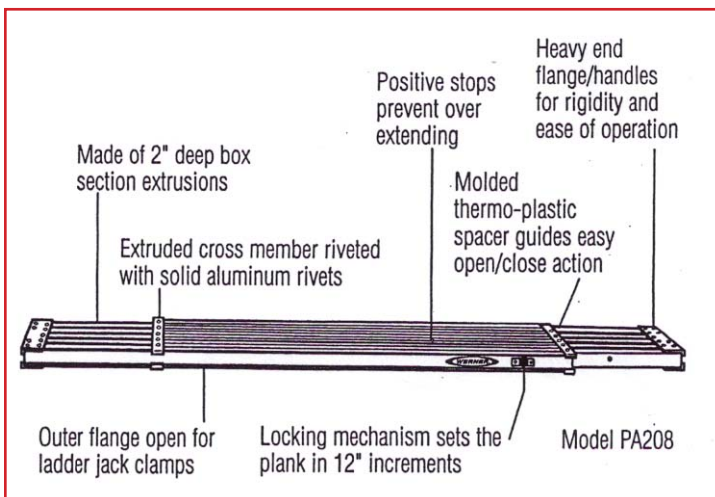
Three Sided

Stage	SSP-47	SGR-09	SGR-13	STB-09	SBT-13	ERT-N	ERT-W*
8'	4	2	0	1	0	2	
12'	5	0	2	0	1	2	
16'	5	4	0	2	0	2	
20'	6	2	2	1	1	2	
24'	7	4	2	2	1	2	
28'	8	2	4	1	2	2	
32'	8	2	4	1	2	2	
36'	8	10	0	5	0	2	
39'	9	4	4	2	2	2	

Four Sided

Stage	SSP-47	SGR-09	SGR-13	STB-09	SBT-13	ERT-N	ERT-W*
8'	4	4	0	2	0	2	
12'	6	0	4	0	2	2	
16'	6	8	0	4	0	2	
20'	8	4	4	2	2	2	
24'	10	8	4	4	2	2	
28'	12	4	8	2	4	2	
32'	12	4	8	2	4	2	
36'	12	20	0	10	0	2	
39'	14	8	8	4	4	2	

* ERT-N is for 12" - 14" wide stages; ERT-W is for 20" wide and greater stages



Aluminum Extension Plank

Model: PA200

Style: Aluminum Extension Plank

Material: Aluminum

- Made of 2" deep box section extrusions
- Extruded cross member riveted with solid aluminum rivets
- Positive stops prevent over extending
- Molded thermo-plastic spacer guides easy open/close action
- Heavy end flange/handles for rigidity and ease of operation
- Outer flange open for ladder jack clamps
- Locking mechanism sets the plank in 12" increments
- For use on stepladders, telescoping .multiladders, extension trestle ladders and extension and single ladders equipped with ladder jacks

Specifications

Model No.	Closed Position	Open Position	Width	Approx. Cu. Ft. Per Unit	Approx. Shipping Wt. Lbs.
PA206	6'	9'	14"	1.5	31.0
PA208	8'	13'	14"	2.0	40.5
Pa210	10'	17'	14"	2.5	56.5

Note: When assembled as scaffold or staging, these planks must be used in conjunction with suitable guard rail protection in compliance with applicable governmental codes, ordinances, regulations and safe practice.

Specifications

Inner Rails : 1-1/8" x 2"

Outer Flanged Rails: 1-7/8" x 2"

1972 Barber Rd.
Sarasota, FL 34240
office: 941.378.4411
fax: 941.378.4412
toll free: 800.755.0676

www.pinecraftscaffolding.com

PineCraft Scaffolding

Scaffolding & Accessories

1972 Barber Rd.
Sarasota, FL 34240
office: 941.378.4411
fax: 941.378.4412
toll free: 800.755.0676

www.pinecraftscaffolding.com