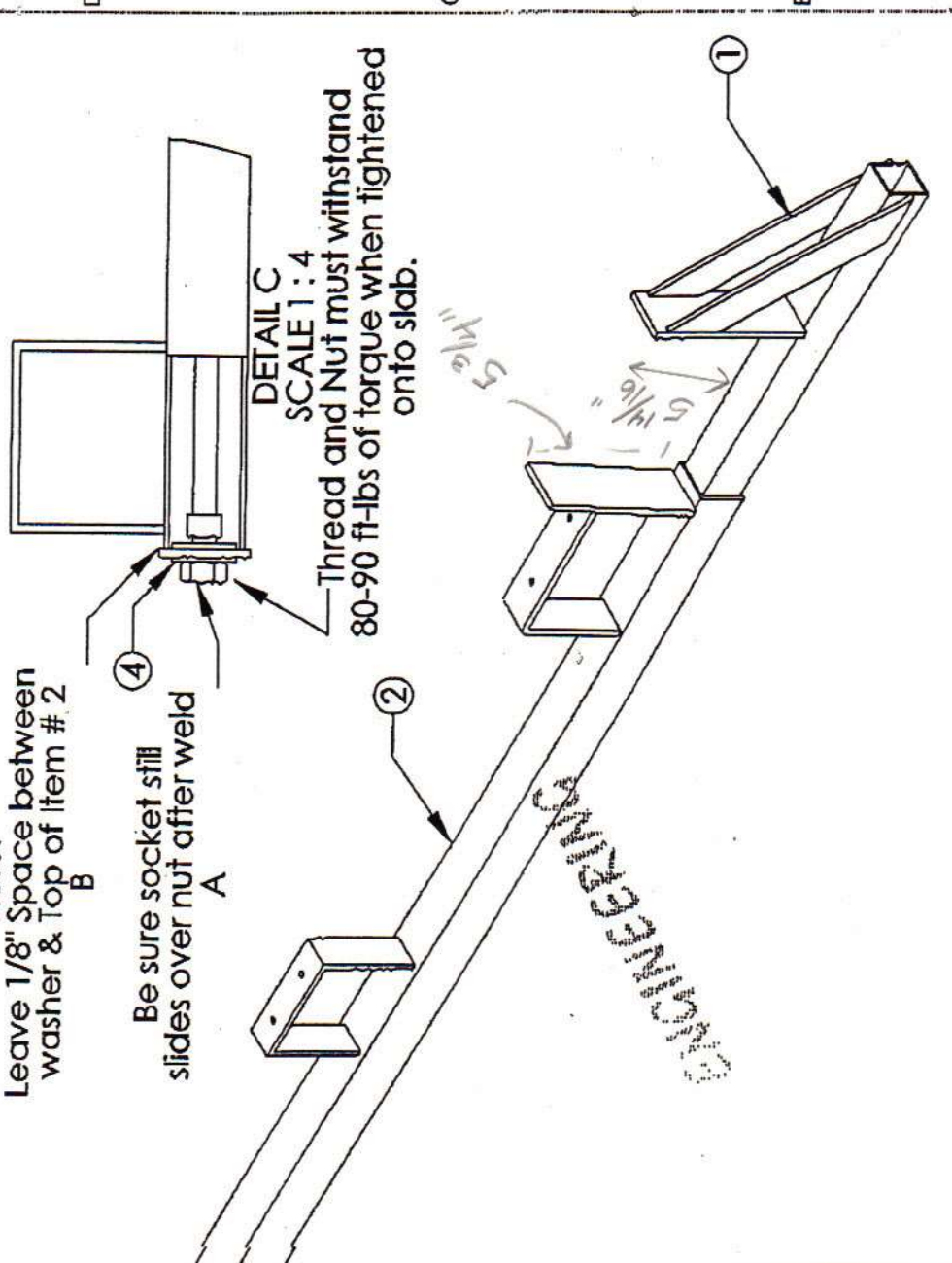
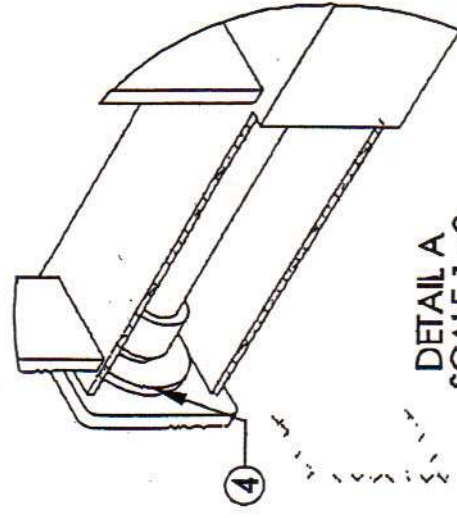
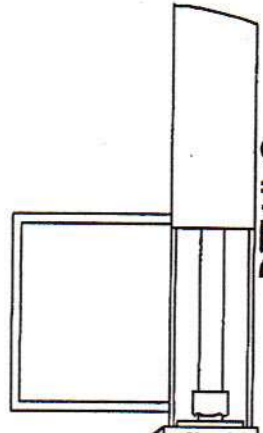


Note:  
 Leave 1/8" Space between  
 washer & Top of item # 2

Be sure socket still  
 slides over nut after weld

Thread and Nut must withstand  
 80-90 ft-lbs of torque when tightened  
 onto slab.



UNLESS OTHERWISE SPECIFIED DIMENSIONS ARE IN INCHES TOLERANCES ARE:		CAD GENERATED DRAWING. DO NOT MANUALLY UPDATE	
± 1/32"	± 0.01	APPROVALS	DATE
± .001	± .005	DRAWN BAJ	05-11-06
± .005	± .010	CHECKED	
MATERIAL STEEL		REF. ENG	
FINISH POWDER		APG. ENG	
PAINT THICKNESS: 0.003" - 0.005"		QUAL. ENG	
DO NOT SCALE DRAWING		REV. #	

ITEM NO	QTY.	PART NUMBER	DESCRIPTION
1	1	MI-12-0189	
2	1	MI-12-0190	
3	1	PI-01-0125	NUT-1/2" ACME SLAB GUARD POST
4	2	PI-01-0002	WASHER-1/2" FLAT 1/2" PLATED

PARTS LIST

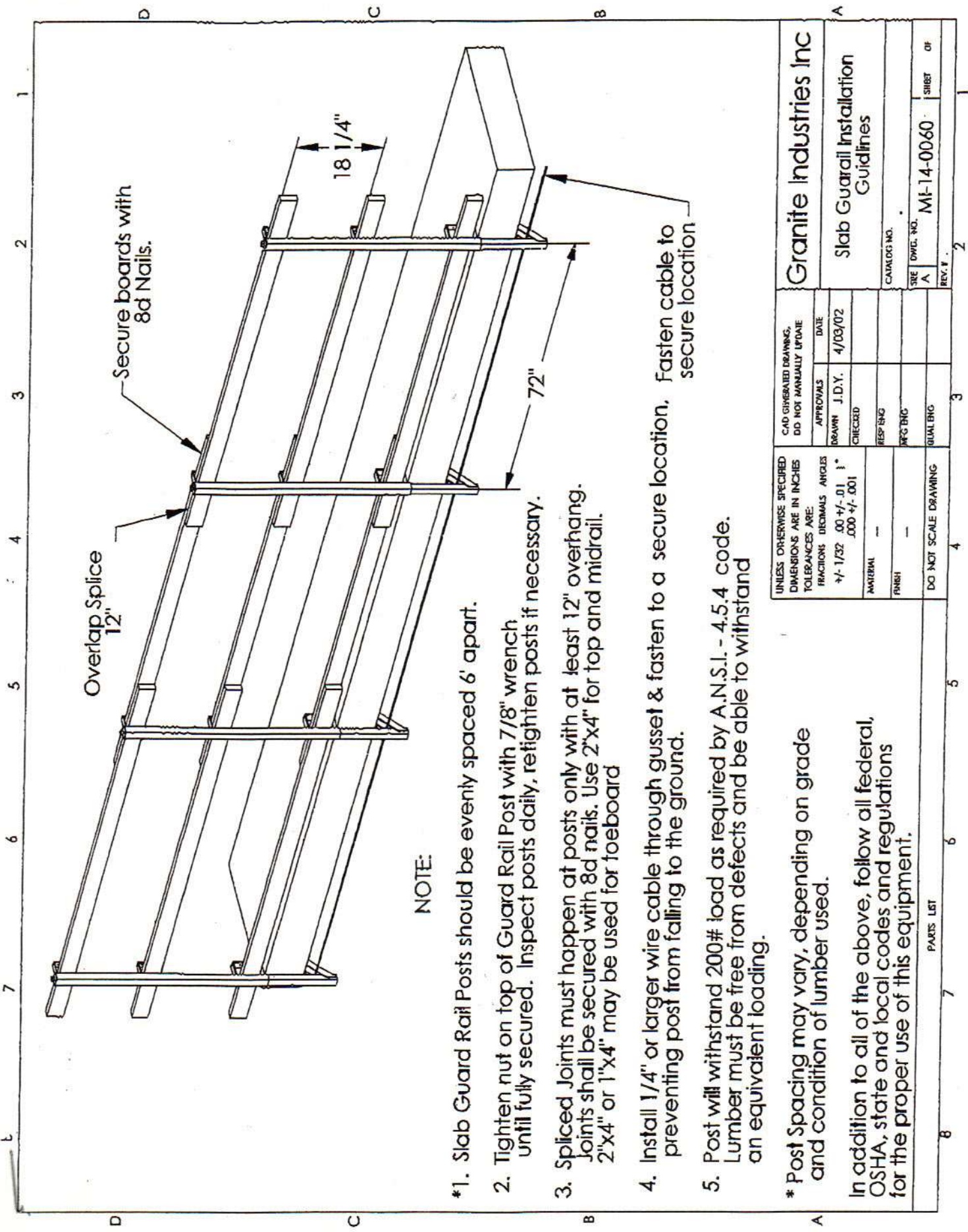
REMOVE ALL BURRS, SHARP EDGES AND CORNERS

Granite Industries Inc.

SLAB GUARD RAIL POST  
 TOP TIGHTENING 1"-30"

CATALOG NO. SLBGPTT

REV. # 2



**NOTE:**

- \*1. Slab Guard Rail Posts should be evenly spaced 6' apart.
2. Tighten nut on top of Guard Rail Post with 7/8" wrench until fully secured. Inspect posts daily, retighten posts if necessary.
3. Spliced Joints must happen at posts only with at least 12" overhang. Joints shall be secured with 8d nails. Use 2"x4" for top and midrail. 2"x4" or 1"x4" may be used for toeboard
4. Install 1/4" or larger wire cable through gusset & fasten to a secure location, preventing post from falling to the ground.
5. Post will withstand 200# load as required by A.N.S.I. - 4.5.4 code. Lumber must be free from defects and be able to withstand an equivalent loading.

\* Post Spacing may vary, depending on grade and condition of lumber used.

In addition to all of the above, follow all federal, OSHA, state and local codes and regulations for the proper use of this equipment.

UNLESS OTHERWISE SPECIFIED DIMENSIONS ARE IN INCHES TOLERANCES ARE: FRACTIONS DECIMALS ANGLES +/- 1/32 .00 +/- .01 1° .000 +/- .001	APPROVALS	DATE	CAD GENERATED DRAWING. DO NOT MANUALLY UPDATE
	DRAWN J.D.Y.	4/03/02	
MATERIAL	CHECKED	RES' BNG	CATALOG NO. SRE DWG. NO. MF-14-0060
FINISH	RES' BNG	QUAL BNG	
DO NOT SCALE DRAWING	PARTS LIST		REV. #
			1

**Granite Industries Inc**  
Slab Guardrail Installation  
Guidelines

SHEET 1 OF 1